

There are 3 ways to measure RV Seats for custom seat covers.

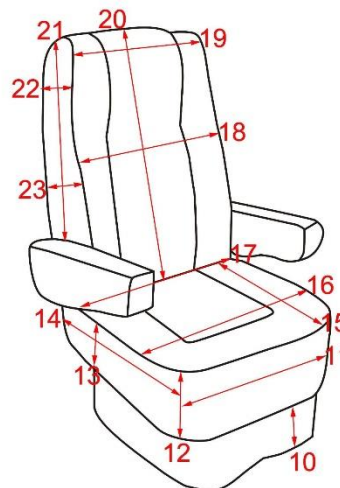
1. MOST ACCURATE: Lightly tape over seats with a masking or painters tape, and write on it the measurements and an ending point so that we can tell exactly what dimensions it is from point to point on the sections shown in red on page 2 and 3. For Example:



2. Get pictures showing the flexible measuring tape on the seat itself showing the sections shown in red on page 2. For example:

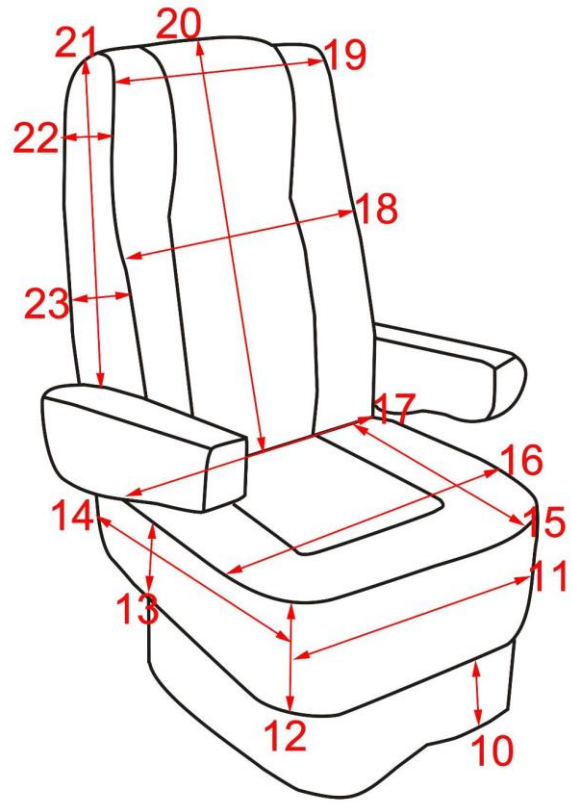


3. Fill out the form on pages 2 and 3 below where the red sections show to measure in inches

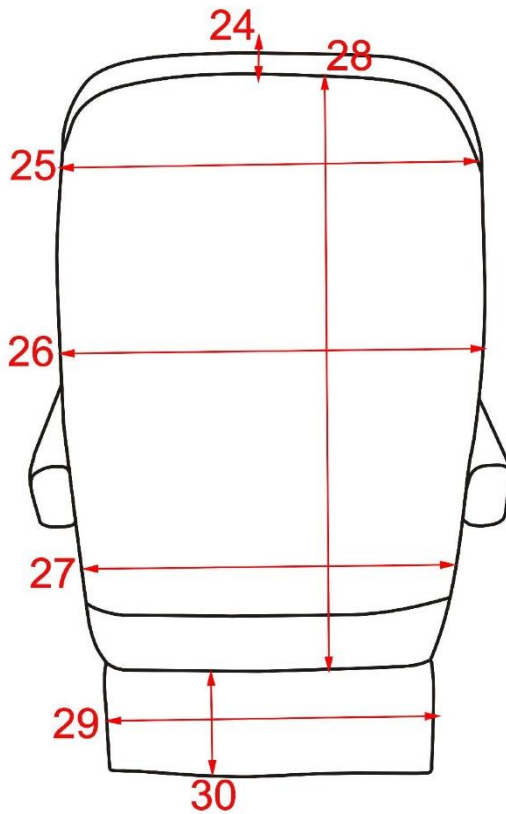


RV SEAT MEASUREMENTS - FRONT

- 10
- 11
- 12
- 13
- 14
- 15
- 16
- 17
- 18
- 19
- 20
- 21
- 22
- 23
- 24
- 25
- 26
- 27
- 28
- 29
- 30



Back of the seats



ARMREST MEASUREMENT

- 1.
- 2.
- 3.
- 4.

